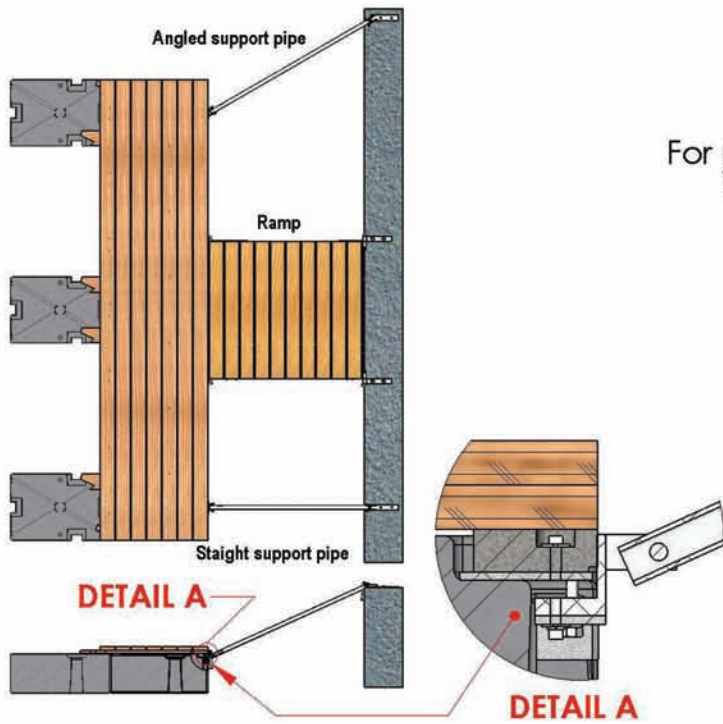
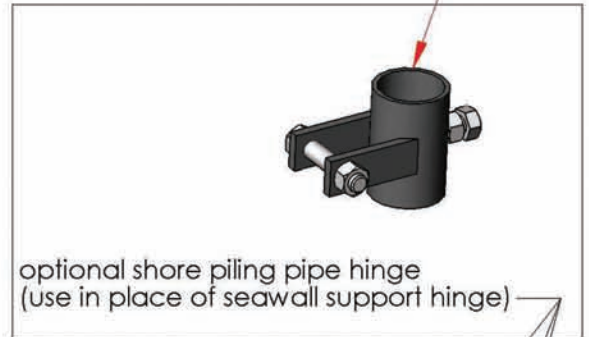


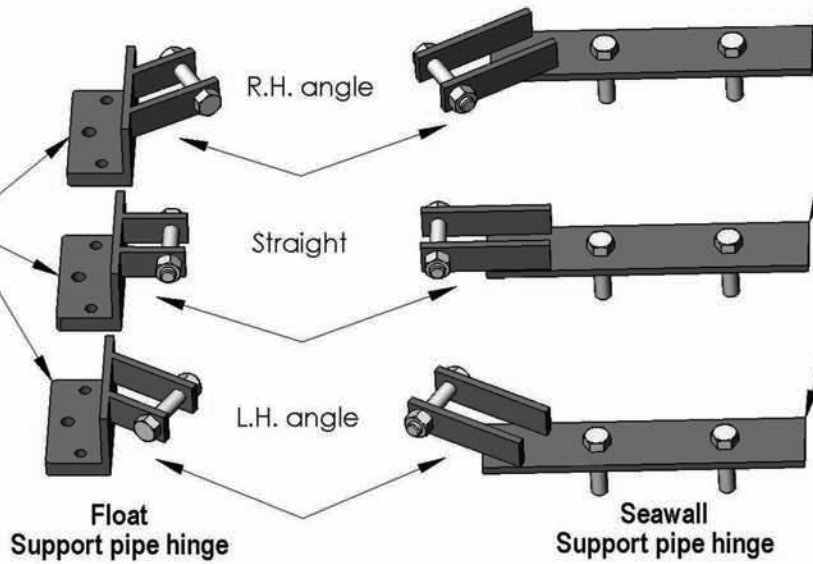
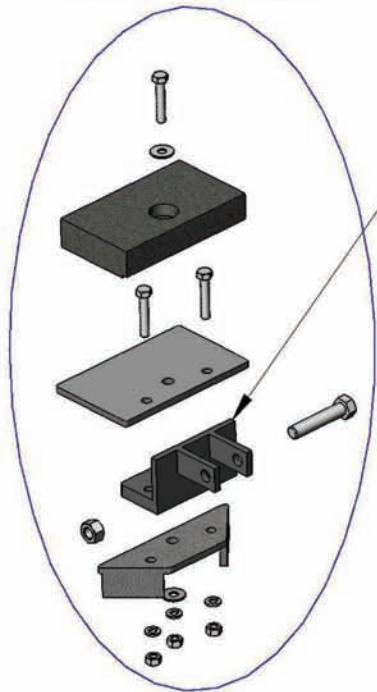
Support Pipe Kits



For use with standard 2" O.D. pipe
Wall thickness 1/8" Minimum



EXPLODED VIEW



All parts are hot dip galvanized

All Kits include parts shown in exploded view with your choice of seawall pipe hinge bracket or optional shore piling pipe