

Dock To Dock Connection

(kits sold in pairs)

For use when dock removal in sections is required
(- ie, WINTER REMOVAL-)

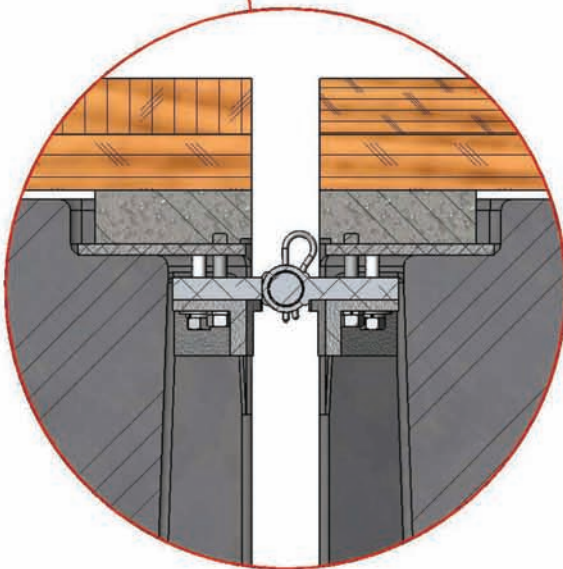
Standard
8x14 Dock



Standard
5x14 Dock

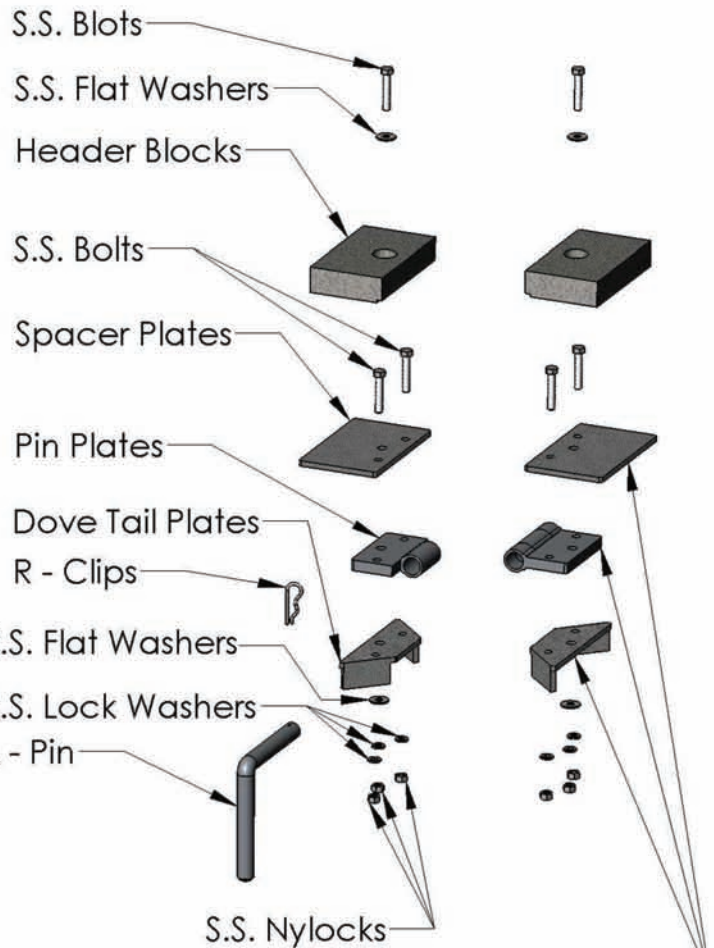


DETAIL A



DOCK TO DOCK KIT:

- 4 - Header Blocks
- 4 - Spacer plates
- 4 - Pin plates
- 4 - Dovetail plates
- 2 - L - Pins
- 2 - R - Clips
- 12 - S.S. bolts (to connect Spacer, Pin and Dovetail plates)
- 8 - S.S. Flat Washers
- 12 - S.S. Lock Washers
- 12 - S.S. Nylocks



PARTS ARE HOT DIP GALVANIZED